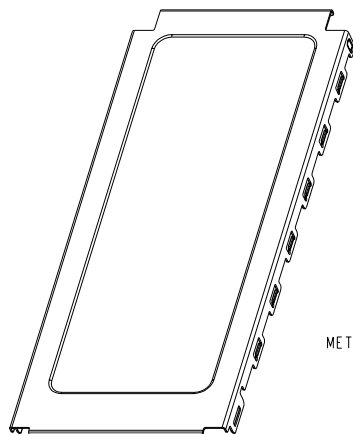
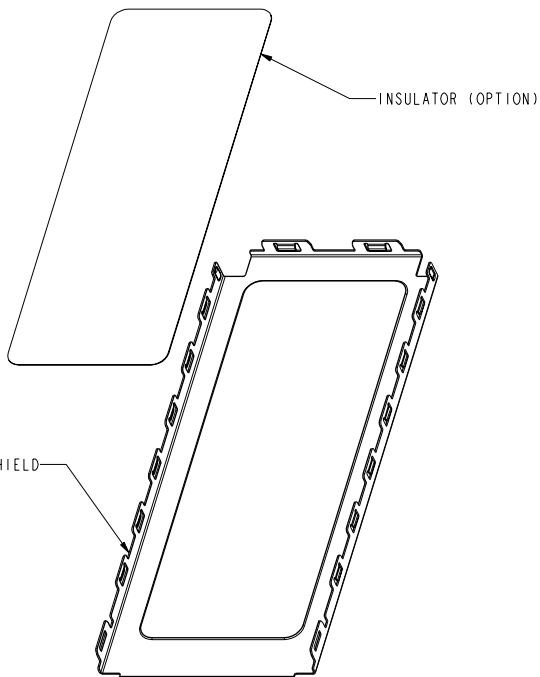


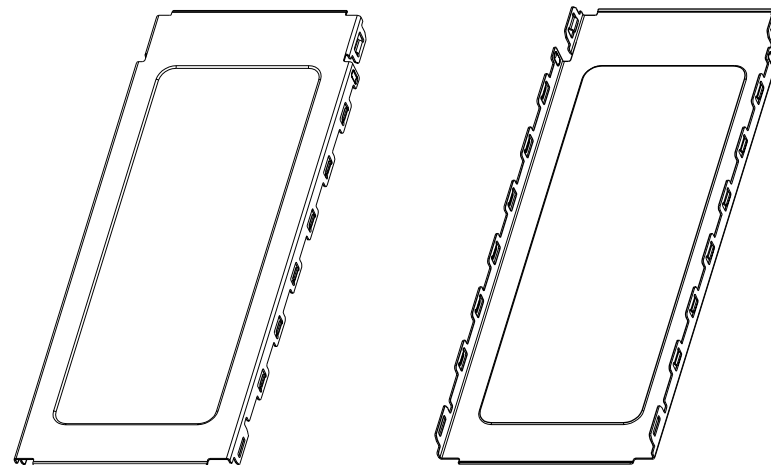
| PRODUCT NO. | INSULATOR | THERMOCOMPRESSION TAPE |
|----------------|-----------|------------------------|
| 10030573-100LF | NO | NO |
| 10030573-110LF | YES | NO |
| 10030573-200LF | NO | NO |
| 10030573-201LF | NO | YES |
| 10030573-210LF | YES | NO |
| 10030573-300LF | NO | NO |
| 10030573-310LF | YES | NO |



10030573-1X0LF



10030573-2X0LF



10030573-3X0LF

NOTES:

- MATERIAL PROPERTIES:
 METAL SHIELD : STAINLESS STEEL, SURFACE FINISH : MATTE.
 INSULATOR : POLYESTER FILM WITH ADHESIVE, 3M 1350 OR EQUIVALENT.

- PART NUMBER SCHEME:
 10030573- X X X L F

- 0: WITHOUT THERMOCOMPRESSION TAPE
- 1: WITH THERMOCOMPRESSION TAPE

- INSULATOR
- 0: NO
- 1: STANDARD

- SHIELD TYPE NO.
- 1: STANDARD (CLOSE-END)
- 2: EXTENDED (OPEN-END)

- PRODUCT PERFORMANCE PER SPEC. GS-12-292.
- PACKAGING SPEC. PER GS-14-927.
- THIS PRODUCT IS ROHS COMPLIANT, AND MEETS EUROPEAN UNION DIRECTIVES AND OTHER COUNTRY REGULATIONS AS PER GS-22-008.
- DATE CODE FORMAT: WWYY; FOR EXAMPLE: 2207 MEANS WEEK 22 AND YEAR 2007.

| rev | ecn no | dr | date |
|-----|----------|------|------------|
| H | N07-0078 | HB | 2007-03-16 |
| J | N07-0147 | LONG | 2007-06-29 |
| K | N07-0201 | SH | 2007-07-28 |
| L | N08-0247 | R.B | 2008/11/12 |

| | | | | | |
|--------------------|-------------|---|----------------|-----------------|--------------|
| www.fciconnect.com | | surface <input checked="" type="checkbox"/> | tolerance std | projection | MM |
| | | TOLERANCES UNLESS OTHERWISE SPECIFIED | | | |
| Dr | DAVID TENG | 2004-10-04 | ANGULAR | size A4 | Scale 1.000 |
| Eng | DAVID TENG | 2004-10-04 | LINEAR | ECN | N08-0247 |
| Chr | PAUL WANG | 2004-10-04 | 0° ±2° | | |
| Appr | JOSEPH HSIA | 2004-10-04 | Product family | Spec ref | |
| | | title TOP SHIELD SUB-ASSEMBLY | | dwg no 10030573 | Rev. L |
| | | EXPRESSCARD/34 MODULE CARD KIT | | CUSTOMER | sheet 1 of 5 |
| | | catalog no 10030573 | | | |

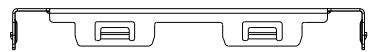
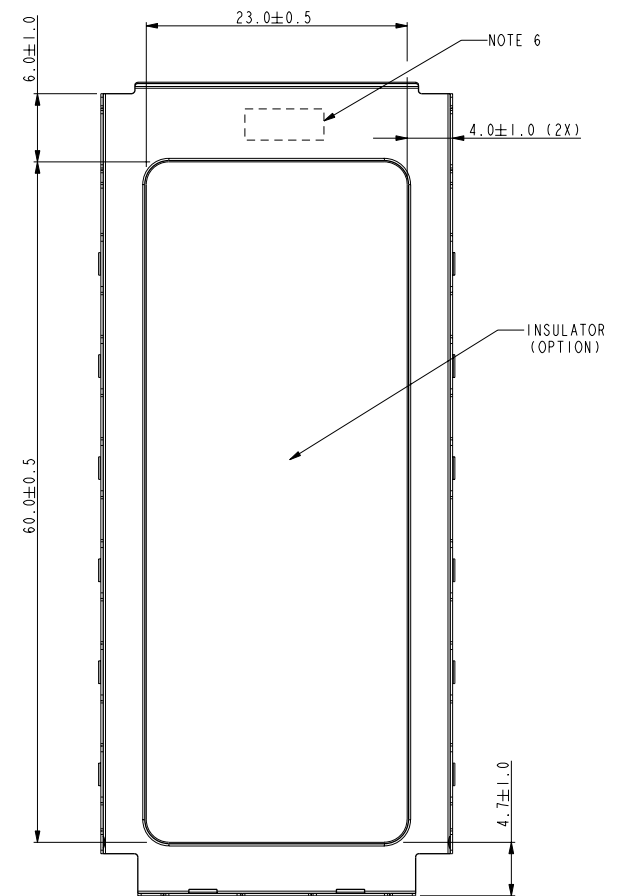
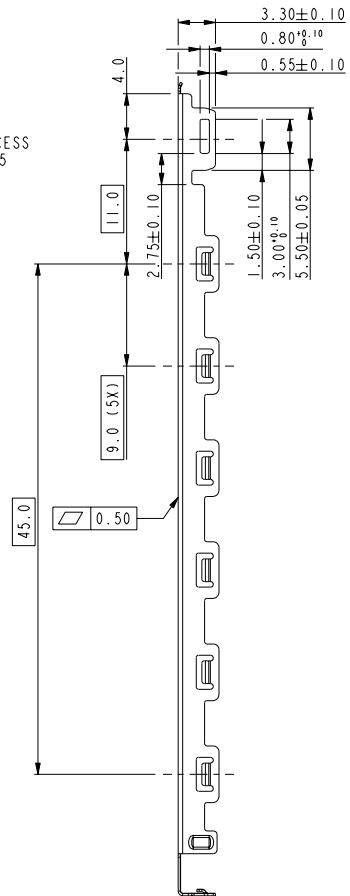
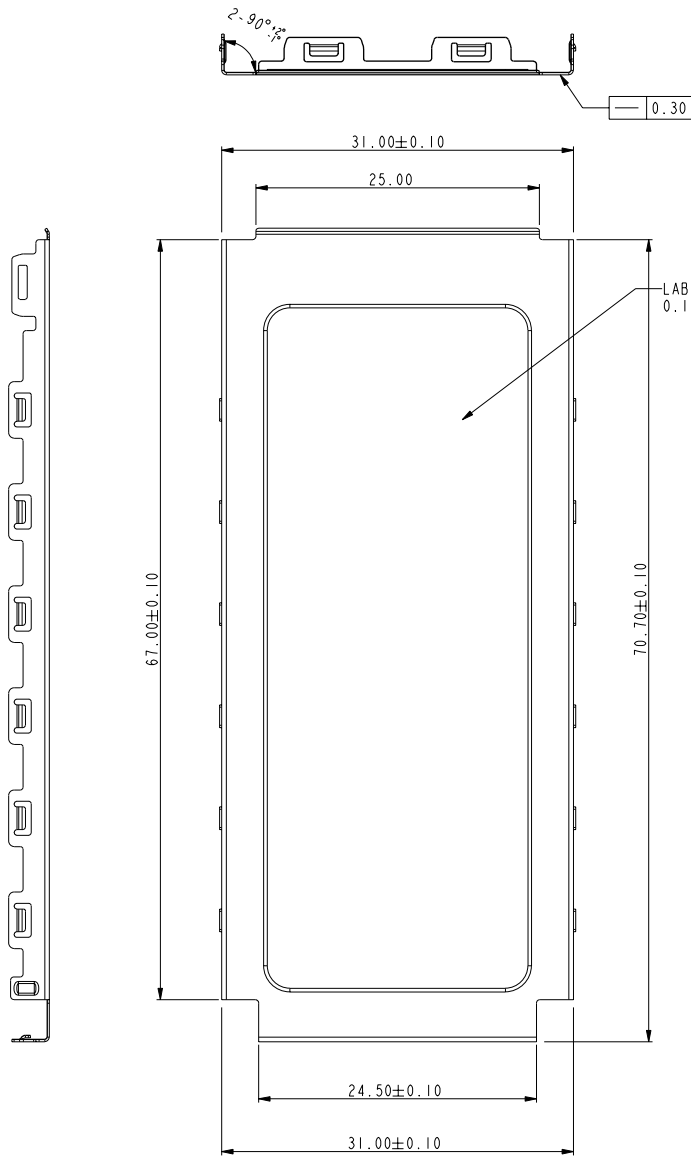


Copyright FCI.



Copyright FCI.

PRODUCT NO.
10030573-1XOLF

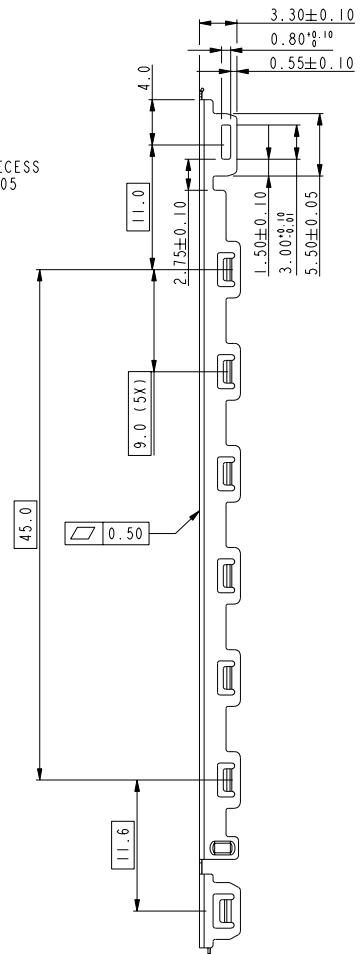
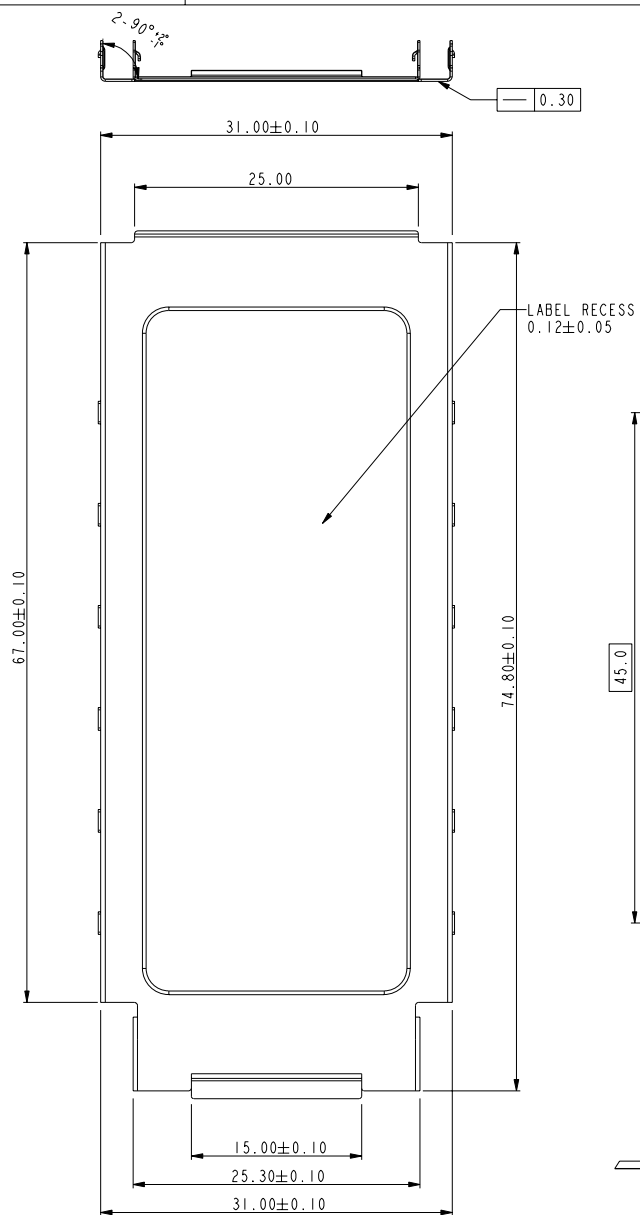


| | | | | | | | | |
|--------------------|-------------|---|---------------------------------------|-------------------------------------|-----------------|--------------|--------------|-------------|
| www.fciconnect.com | | | surface | <input checked="" type="checkbox"/> | tolerance std | projection | MM | |
| | | | TOLERANCES UNLESS OTHERWISE SPECIFIED | | | | | ←→ |
| Dr | David Teng | 2004-10-04 | ANGULAR | LINEAR | 0.X | ±0.30 | size A4 | |
| Eng | David Teng | 2004-10-04 | | | 0.XX | ±0.15 | | Scale 1.000 |
| Chr | Paul Wang | 2004-10-04 | | | 0° | ±2° | | |
| Appr | Joseph Hsia | 2004-10-04 | Product family | | | | ECN N08-0247 | Spec ref * |
| | | title TOP SHELL SUB-ASSEMBLY EXPRESSCARD /34 MODULE CARD KIT | | | dwg no 10030573 | | Rev. L | |
| catalog no | | | CUSTOMER | | | sheet 2 of 5 | | |

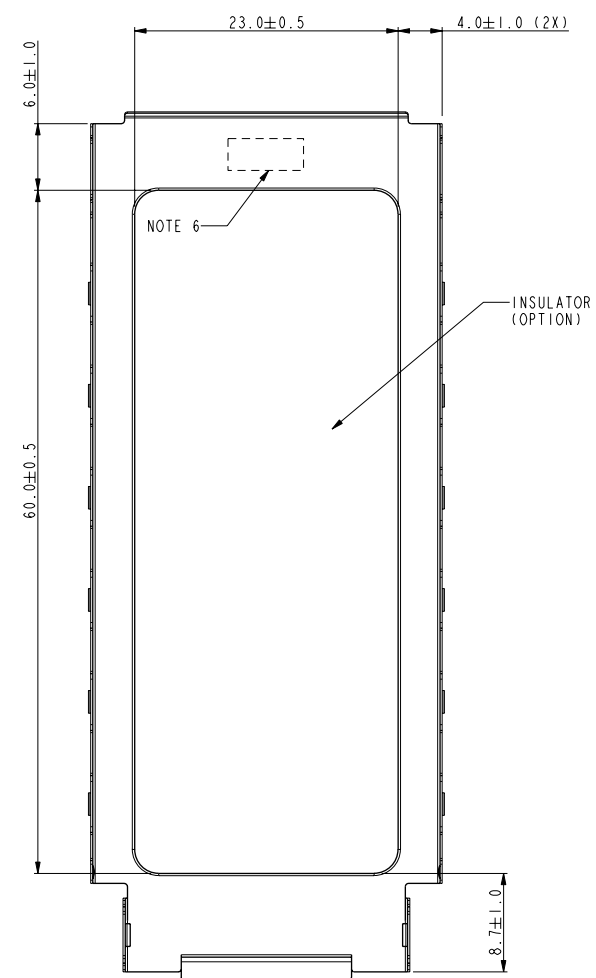


Copyright FCI.

PRODUCT NO.
10030573-2X0LF



DETAIL B
SCALE 5.000



| | | | | | | | | |
|--------------------|-------------|------------------------------|---|---------------|-----------------|---------------|--------------|-------------|
| www.fciconnect.com | | | surface <input checked="" type="checkbox"/> | tolerance std | projection | MM | | |
| | | | TOLERANCES UNLESS OTHERWISE SPECIFIED | | | | | |
| Dr | David Teng | 2004-10-04 | ANGULAR | LINEAR | 0.X | ± 0.30 | size A4 | Scale 1.000 |
| Eng | David Teng | 2004-10-04 | | | 0.XX | ± 0.15 | ECN | N08-0247 |
| Chr | Paul Wang | 2004-10-04 | | | 0° | $\pm 2^\circ$ | | |
| Appr | Joseph Hsia | 2004-10-04 | Product family | | | Spec ref | * | |
| FCI | | title TOP SHELL SUB-ASSEMBLY | | | dwg no 10030573 | | Rev. L | |
| | | catalog no | | | CUSTOMER | | sheet 3 of 5 | |

REV F - 2006-04-11

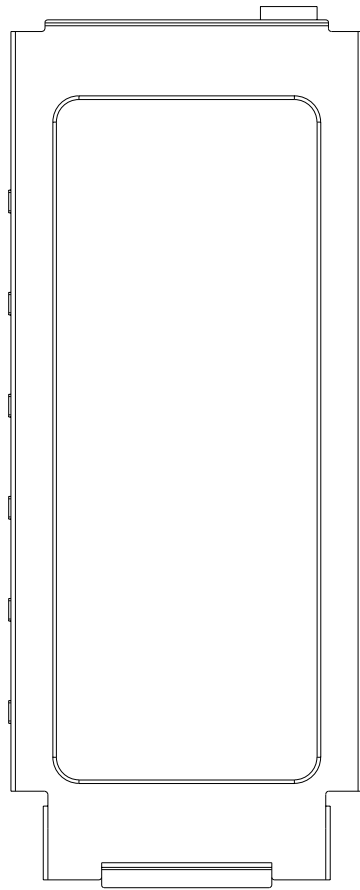
PRODUCT NO.
10030573-201LF

A

B

C

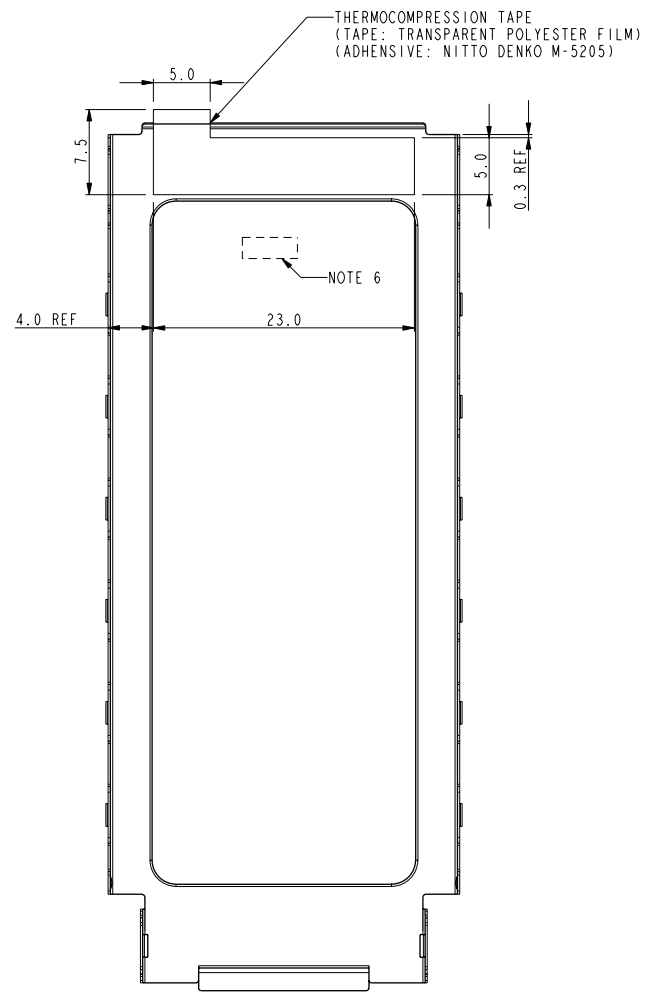
D



2

3

4



A

B

C

D

NOTE: ALL DIMENSITONS REFER TO 10030573-2X0LF EXCEPT THERMOCOMPRESSION TAPE



Copyright FCI.

| | | | | | | | | |
|--------------------|-------------|------------------------------|---|---------------|-----------------|------------|--------------|-------------|
| www.fciconnect.com | | | surface <input checked="" type="checkbox"/> | tolerance std | projection | MM | | |
| | | | TOLERANCES UNLESS OTHERWISE SPECIFIED | | | | | |
| Dr | David Teng | 2004-10-04 | ANGULAR | LINEAR | 0.X | ±0.30 | size A4 | Scale 1.000 |
| Eng | David Teng | 2004-10-04 | | | 0.XX | ±0.15 | | |
| Chr | Paul Wang | 2004-10-04 | | | 0° | ±2° | 0.XXX | ±0.08 |
| Appr | Joseph Hsia | 2004-10-04 | Product family | | | Spec ref * | | |
| | | title TOP SHELL SUB-ASSEMBLY | | | dwg no 10030573 | | Rev. L | |
| | | catalog no | | | CUSTOMER | | sheet 4 of 5 | |

REV F - 2006-04-17

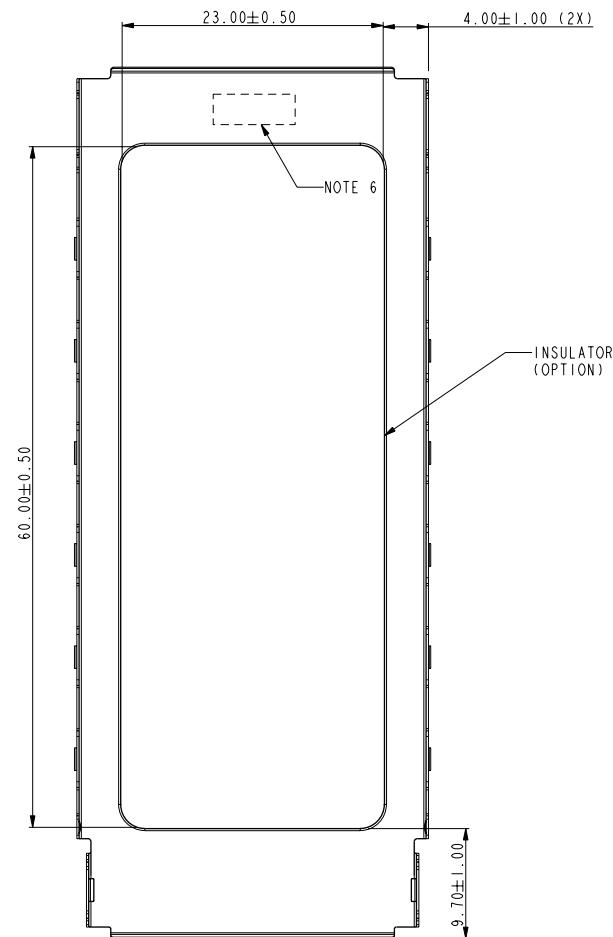
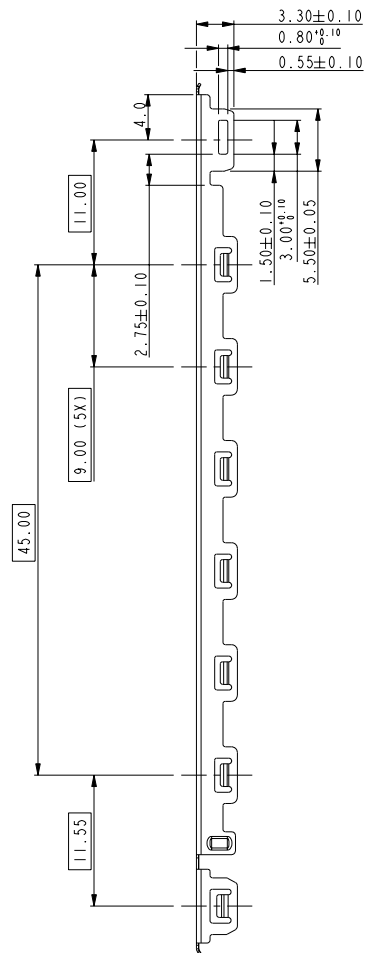
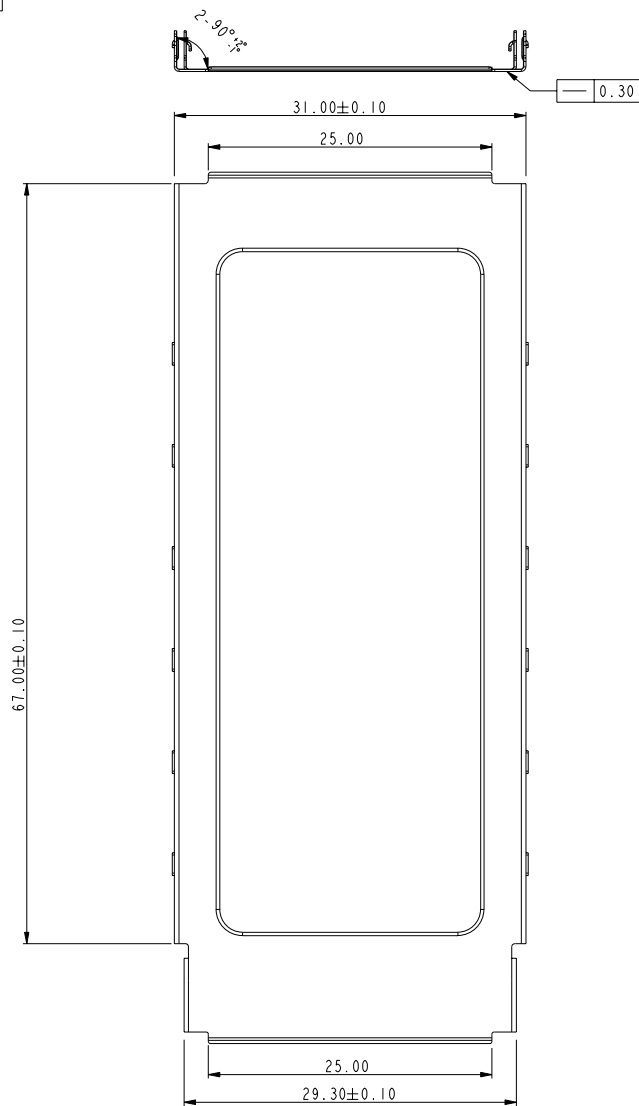
2

3 PDM: Rev:L

STATUS: Released

4 Printed: Nov 17, 2008

PART NUMBER
10030573-3XOLF



| | | | | | | | |
|--------------------|-------------|------------|---------------------------------------|--------|-----------------|------------|--------------|
| www.fciconnect.com | | | surface | ✓ | tolerance std | projection | MM |
| | | | TOLERANCES UNLESS OTHERWISE SPECIFIED | | ⊕ | | ←→ |
| Dr | David Teng | 2004-10-04 | ANGULAR | LINEAR | 0.X | ±0.30 | size A4 |
| Eng | David Teng | 2004-10-04 | | | 0.XX | ±0.15 | |
| Chr | Paul Wang | 2004-10-04 | | | 0.XXX | ±0.08 | |
| Appr | Joseph Hsia | 2004-10-04 | Product family | | Spec ref | | * |
| FCI | | | title TOP SHELL SUB-ASSEMBLY | | dwg no 10030573 | | Rev. L |
| | | | EXPRESSCARD /34 MODULE CARD KIT | | CUSTOMER | | sheet 5 of 5 |
| | | | catalog no | | | | |



Copyright FCI.